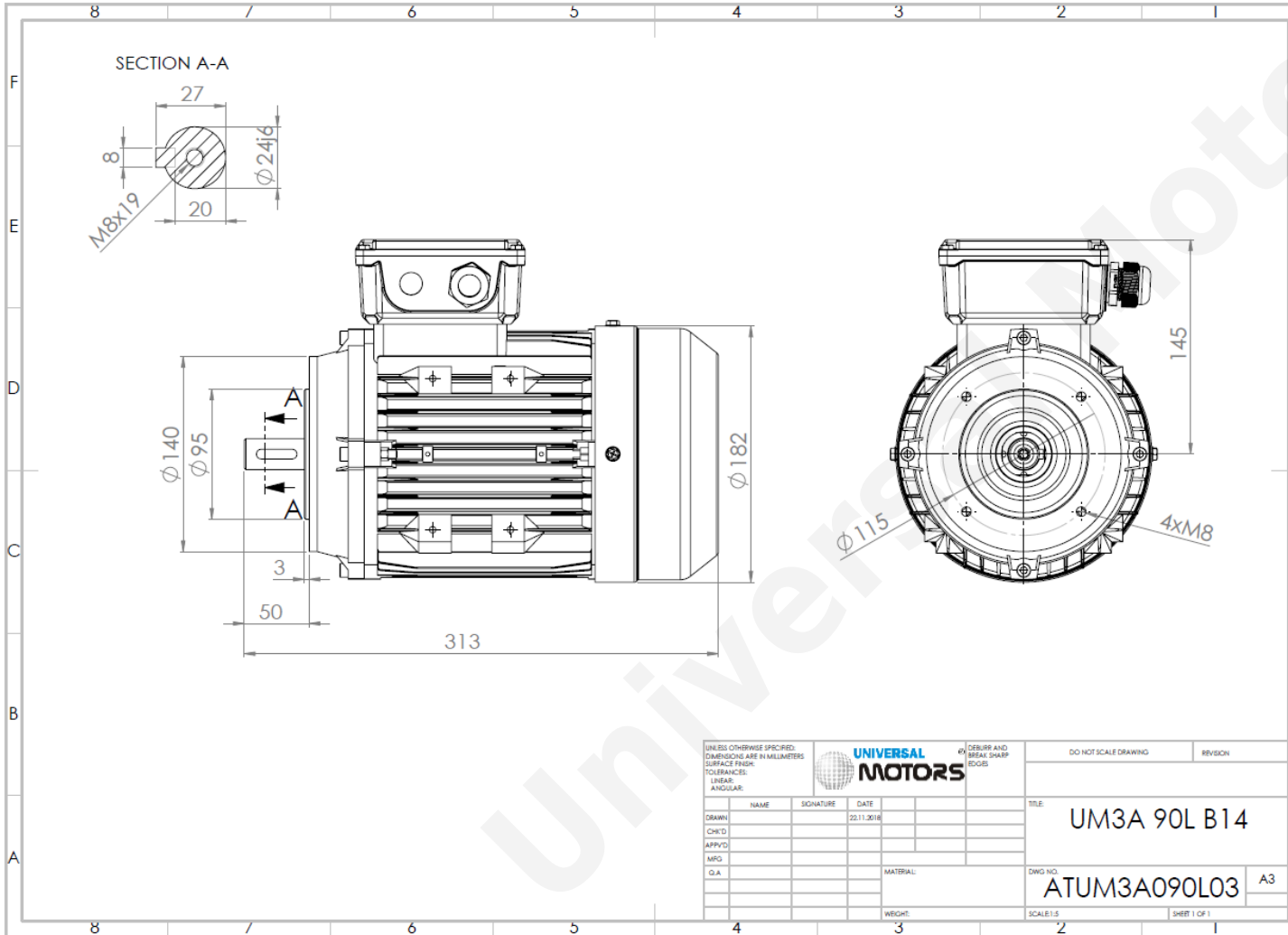




TECHNICAL DATA

Three Phase Electric Motors - Aluminum Frame
 PE31 90L-2
 2.2 kW / 3 Cv
 2845 RPM



Motor type:	PE31 90L-2
Output:	2.2 kW / 3 Cv
Speed (min ⁻¹):	2845 RPM
Frequency:	50 Hz
Voltage:	400 V
Current:	4.4 A
Power factor (Cos Ø):	0.85
Poles:	2
Insulation class:	F
Temperature rise Class:	B
Efficiency 50%:	83.8 %
Efficiency 75%:	84.6 %
Efficiency 100%:	85.9 %
Torque:	7.38 N.m
Tstarting/Tnominal:	2.3
Istarting/Inominal:	7.8
Tmaximum/Tnominal:	2.3
Noise:	78 Db(A)
Weight:	16 Kg
Bearing DE:	6205 2Z C3
Bearing NDE:	6205 2Z C3

Regime - S1

Altitude - 1000m

Environment Temperature - 40°C

CONTACTS:

UNIVERSAL MOTORS Tel: +351 252 299 080
 Rua de São Brás,745 Fax: +351 252 299 089
 4480-782 VILA DO CONDE Mail: geral@universalmotors.pt

* References applied only in the UK